



- L6J load cells are available in the capacities 1kg~20kg.
- Aluminum construction with parallel beam.
- Silicon adhesive sealed, surface anodized and anti-corrosion.
- Integral structure and easy installation.
- Suitable for electronic balance and other electronic weighing devices.

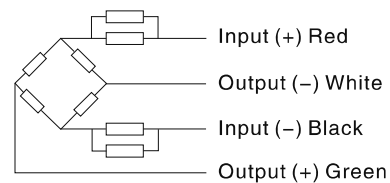
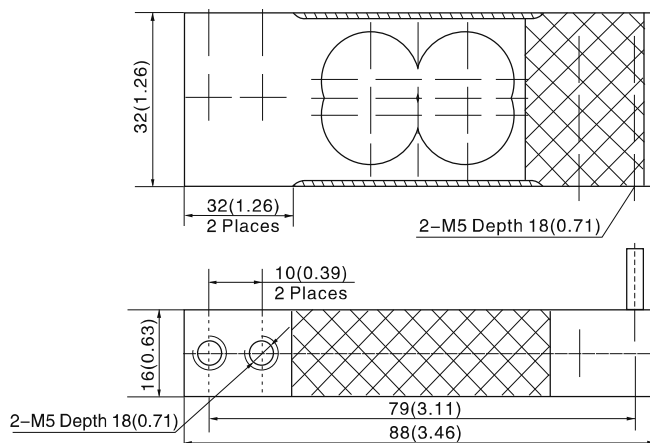
Features

- Capacity: 1kg~20kg
- High accuracy
- Max. platform size: 200×200mm



Specifications		
Capacity	kg	1/2/3/5/8/10/15/20
Accuracy		C3D
Maximum number of verification intervals	nmax	2500
Minimum load cell verification interval	vmin	Emax/5000
Combined error	(%FS)	≤ ±0.030
Creep	(%FS/30min)	≤ ±0.020
Temperature effect on sensitivity	(%FS/10°C)	≤ ±0.021
Temperature effect on zero	(%FS/10°C)	≤ ±0.028
Output sensitivity	(mv/v)	1.5 ± 0.2
Input resistance	(Ω)	409 ± 6
Output resistance	(Ω)	350 ± 3
Insulation resistance	(MΩ)	≥ 5000(50VDC)
Zero balance	(%FS)	2
Temperature, compensated	(°C)	-10 ~ +40
Temperature, operating	(°C)	-35 ~ +65
Excitation, recommended	(V)	5 ~ 12(DC)
Excitation, max	(V)	18(DC)
Safe overload	(%FS)	150
Ultimate overload	(%FS)	300
Corner correction		0.02%load value/100mm

Outline Dimension mm(inch)



Wiring:

Adopt a shielded, 4 conductor cable, and cable jacket is PVC.
Cable length: 0.45 ± 0.05m
Cable diameter: 3.0 ± 0.2mm