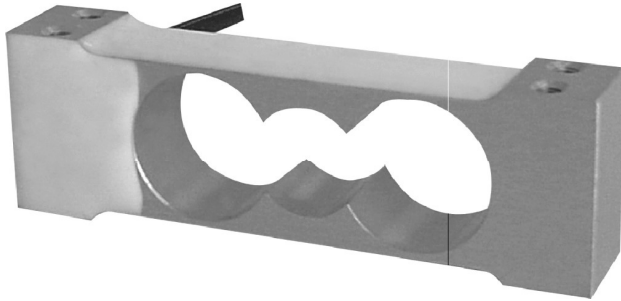


# L6J1



- L6J1 load cells are available in the capacities 0.3kg~3kg.
- Aluminum construction with parallel beam.
- Silicon adhesive sealed, surface anodized and anti-corrosion.
- Integral structure and easy installation.
- Suitable for electronic balance and other electronic weighing devices.

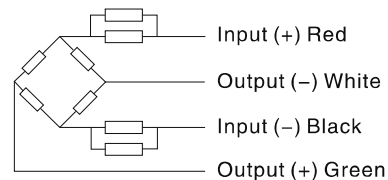
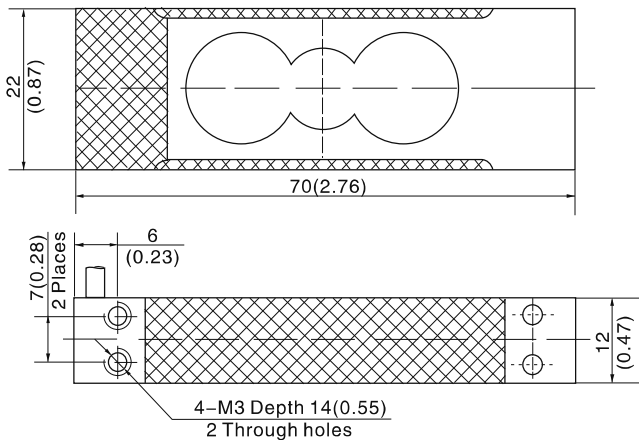
### Features

- Capacity: 0.3kg~3kg
- High accuracy
- Max. platform size: 200×200mm



Specifications			
Capacity	kg	0.3/0.4/0.5/0.6/1/3	
Accuracy		C3D	
Maximum number of verification intervals	n <sub>max</sub>	2500	
Minimum load cell verification interval	v <sub>min</sub>	E <sub>max</sub> /5000	
Combined error	(%FS)	≤ ±0.030	
Creep	(%FS/30min)	≤ ±0.020	
Temperature effect on sensitivity	(%FS/10°C)	≤ ±0.021	
Temperature effect on zero	(%FS/10°C)	≤ ±0.028	
Output sensitivity	(mv/v)	1.0±0.1	
Input resistance	(Ω)	394±6	
Output resistance	(Ω)	350±3	
Insulation resistance	(MΩ)	≥5000(50VDC)	
Zero balance	(%FS)	2	
Temperature, compensated	(°C)	-10~+40	
Temperature, operating	(°C)	-35~+65	
Excitation, recommended	(V)	5~12(DC)	
Excitation, max	(V)	18(DC)	
Safe overload	(%FS)	150	
Ultimate overload	(%FS)	300	
Corner correction		0.02%load value/100mm	

### Outline Dimension mm(inch)



### Wiring:

Adopt a shielded, 4 conductor cable, and cable jacket is PVC.  
Cable length: 0.45 ± 0.05m  
Cable diameter: 3.0 ± 0.2mm