

# BM8H



- BM8H load cells are available in the capacities 500lb~10Klb: 0.25t~5t.
- Stainless steel construction, hermetically welded, potted by adhesive inside, oil proof, waterproof, anti-corrosive gas and medium making it suitable for all kinds of environments.
- Single shear beam, easy for installation, suitable for electronic truck scales, track scales, hopper scales and other electronic weighing devices.
- Safe and anti-explosive product, can be used in atrocious environment and hazardous areas.

### Features

- Capacity: 500lb~10Klb; 0.25t~5t
- High accuracy
- Stainless steel construction
- Low profile
- PTB Approval No:D09-08.24

### Accessories

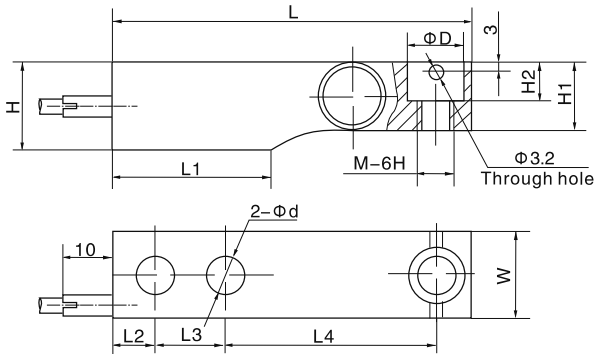
- BJ-8-206 • BJ-8-207 • BM-8-406



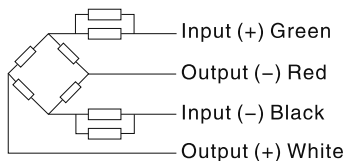
### Specifications

Capacity	t	0.25/0.5/1/2/5				
		Klb				
		0.5/1/2.5/4/5/10				
		C2	C3	C4	A5M	B10M
Accuracy						
Approvals			OIML R60 C3			
Maximum number of verification intervals	nmax	2000	3000	4000	5000	10000
Minimum load cell verification interval	vmin	Emax/5000	Emax/10000	Emax/14000	Emax/15000	Emax/10000
Combined error	(%FS)	≤ ±0.030	≤ ±0.020	≤ ±0.018	≤ ±0.026	≤ ±0.050
Creep	(%FS/30min)	≤ ±0.024	≤ ±0.016	≤ ±0.012	≤ ±0.017	≤ ±0.040
Temperature effect on sensitivity	(%FS/10°C)	≤ ±0.017	≤ ±0.011	≤ ±0.009	≤ ±0.013	≤ ±0.040
Temperature effect on zero	(%FS/10°C)	≤ ±0.023	≤ ±0.015	≤ ±0.010	≤ ±0.014	≤ ±0.020
Output sensitivity	(mv/v)	2.0±0.02				
Input resistance	(Ω)	1000±10			350±3.5	
Output resistance	(Ω)	1004±5			351±2.0	
Insulation resistance	(MΩ)	≥5000(50VDC)				
Zero balance	(%FS)	1.0				
Temperature, compensated	(°C)	-10~+40				
Temperature, operating	(°C)	-35~+65				
Excitation, recommended	(V)	5~12(DC)				
Excitation, max	(V)	18(DC)				
Safe overload	(%FS)	150				
Ultimate overload	(%FS)	300				

### Outline Dimension mm(inch)



Capacity	250kg (500lb)	500kg (1Klb)	1.0t(2Klb) (2.5K)	1.5t,2.0t (4Klb,5Klb)	5.0t (10Klb)
L	130.0 (5.12)	130.0 (5.12)	130.0 (5.12)	130.0 (5.12)	172 (6.71)
L1	57 (2.24)	57.1 (2.25)	57.1 (2.25)	57.1 (2.25)	76.2 (3.0)
L2	15.5 (0.62)	15.5 (0.62)	15.5 (0.62)	15.5 (0.62)	19.1 (0.75)
L3	25.4 (1.0)	25.4 (1.0)	25.4 (1.0)	25.4 (1.0)	38.1 (1.5)
L4	76.2 (3.01)	76.2 (3.0)	76.2 (3.0)	76.2 (3.0)	95.3 (3.75)
H	31.8 (1.24)	31.8 (1.24)	31.8 (1.24)	35.9 (1.41)	44 (1.72)
H1	25.50 (1.00)	26.0 (1.02)	27.95 (1.1)	31.95 (1.26)	40.0 (1.57)
H2	14.2 (0.55)	14.2 (0.55)	14.2 (0.55)	14.2 (0.55)	20 (0.78)
W	31.8 (1.23)	31.8 (1.23)	31.8 (1.23)	31.8 (1.23)	38 (1.48)
D	20.5 (0.81)	20.5 (0.81)	20.5 (0.81)	20.5 (0.81)	30.2 (1.19)
d	13 (0.51)	13 (0.51)	13 (0.51)	13 (0.51)	20.5 (0.8)
M	M12 1/2-20UNF	M12 1/2-20UNF	M12 1/2-20UNF	M12 1/2-20UNF	M20 3/4-20UNF



### Wiring:

Adopt shielded, 4 conductor cable.  
Standard cable length: 6m(2t ~ 5t, 4Klb ~ 10Klb)  
3m(0.5t ~ 1t, 1Klb ~ 2.5Klb)