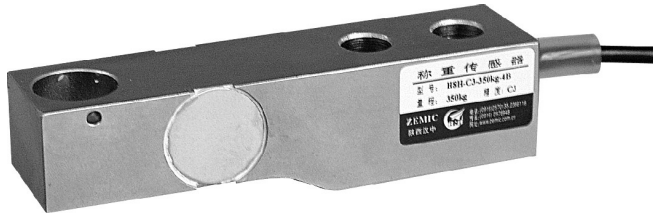


# H8H



- H8H load cells are available in the capacities 0.25t~5t, 0.5Klb~10Klb.
- Alloy steel, sealed by adhesive inside, oil-proof, waterproof and anti-corrosion, suitable for all kinds of environments.
- Single shear beam, easy for installation, suitable for electronic truck scales, track scales, hopper scales and other electronic weighing devices.
- Safe and anti-explosive product, can be used in atrocious environment and hazardous areas.

### Features

- Capacity: 0.25t~5t, 0.5Klb~10Klb
- High accuracy
- Alloy steel construction
- Low profile

### Accessories

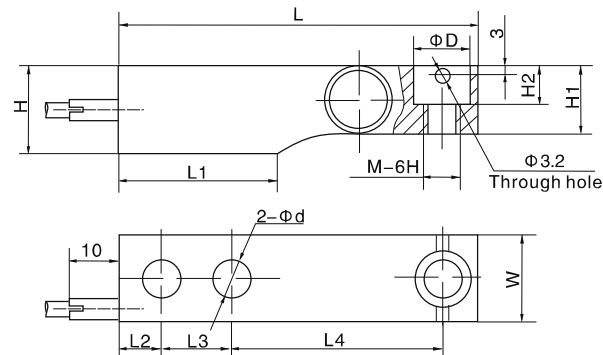
- HJ-8-217 • HJ-8-218



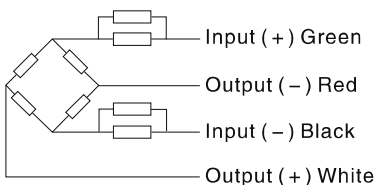
### Specifications

Capacity	t Klb	0.25/0.5/1/2/5			
		0.5/1/2/2.5/4/5/10			
		C2	C3	A5M	B10M
Accuracy					
Maximum number of verification intervals	n <sub>max</sub>	2000	3000	5000	10000
Minimum load cell verification interval	v <sub>min</sub>	E <sub>max</sub> /5000	E <sub>max</sub> /10000	E <sub>max</sub> /15000	E <sub>max</sub> /10000
Combined error	(%FS)	≤±0.030	≤±0.020	≤±0.026	≤±0.050
Creep	(%FS/30min)	≤±0.024	≤±0.016	≤±0.017	≤±0.040
Temperature effect on sensitivity	(%FS/10°C)	≤±0.017	≤±0.011	≤±0.013	≤±0.040
Temperature effect on zero	(%FS/10°C)	≤±0.023	≤±0.015	≤±0.014	≤±0.020
Output sensitivity	(mv/v)	2.0±0.02			
Input resistance	(Ω)	1000±50			
Output resistance	(Ω)	1000±10			
Insulation resistance	(MΩ)	≥5000(50VDC)			
Zero balance	(%FS)	1.0			
Temperature, compensated	(°C)	-10~+40			
Temperature, operating	(°C)	-35~+65			
Excitation, recommended	(V)	5~12(DC)			
Excitation, max	(V)	18(DC)			
Safe overload	(%FS)	150			
Ultimate overload	(%FS)	300			

### Outline Dimension mm(inch)



Capacity Dimension	0.25t 0.5Klb	0.5t 1Klb	1.0t 2Klb, 2.5Klb	2.0t 4Klb, 5Klb	5.0t 10Klb
L	130.0 (5.12)	130.0 (5.12)	130.0 (5.12)	130.0 (5.12)	172 (6.71)
L1	57 (2.24)	57.1 (2.25)	57.1 (2.25)	57.1 (2.25)	76.2 (3.0)
L2	15.5 (0.62)	15.5 (0.62)	15.5 (0.62)	15.5 (0.62)	19.1 (0.75)
L3	25.4 (1.0)	25.4 (1.0)	25.4 (1.0)	25.4 (1.0)	38.1 (1.5)
L4	76.2 (3.01)	76.2 (3.0)	76.2 (3.0)	76.2 (3.0)	95.3 (3.75)
H	31.8 (1.24)	31.8 (1.24)	31.8 (1.24)	35.9 (1.41)	44 (1.72)
H1	25.50 25.32	26.0 (1.02)	27.95 (1.1)	31.95 (1.26)	40.0 (1.57)
H2	14.2 (0.55)	14.2 (0.55)	14.2 (0.55)	14.2 (0.55)	20 (0.78)
W	31.8 (1.23)	31.8 (1.23)	31.8 (1.23)	31.8 (1.23)	38 (1.48)
D	20.5 (0.81)	20.5 (0.81)	20.5 (0.81)	20.5 (0.81)	30.2 (1.19)
d	13 (0.51)	13 (0.51)	13 (0.51)	13 (0.51)	20.5 (0.8)
M	M12 1/2-20UNF	M12 1/2-20UNF	M12 1/2-20UNF	M12 1/2-20UNF	M20 3/4-20UNF



### Wiring:

Adopt shielded, 4 conductor cable: φ5mm  
Standard cable length: 6m(250Kg ~ 1t, 0.5Klb ~ 2.5Klb)  
3m(2t ~ 5t, 4Klb ~ 10Klb)