

# HM8



- HM8 load cells are available in the capacities 1t~30t.
- Alloy steel, hermetically welded, oil-proof, waterproof and anti-corrosion, suitable for all kinds of environments.
- Single shear beam, easy for installation, suitable for electronic truck scales, track scales, hopper scale and other electronic weighing devices.
- Safe and anti-explosive product, can be used in atrocious environment and hazardous areas.

### Features

- Capacity: 1t~30t
- High accuracy
- Alloy steel construction
- Low profile

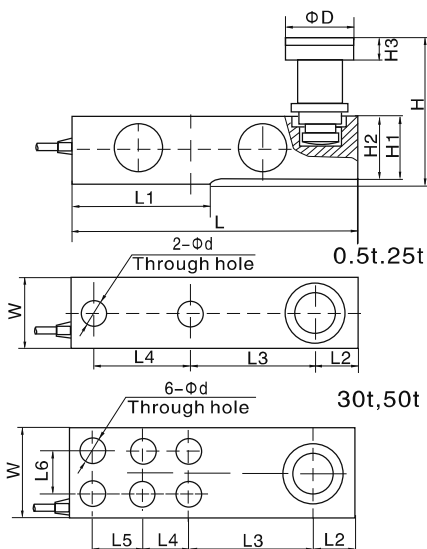
### Accessories

- HY-8-101
- HM-8-401
- BM-8-406

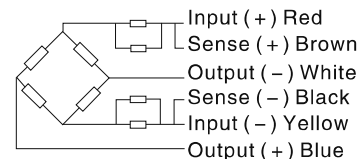


Specifications						
Capacity	t	1/2/2.5/3/5/10/15/20/25/30				
Accuracy		C2	C3	A5M	B10M	
Maximum number of verification intervals	n <sub>max</sub>	2000	3000	5000	10000	
Minimum load cell verification interval	v <sub>min</sub>	E <sub>max</sub> /5000	E <sub>max</sub> /10000	E <sub>max</sub> /15000	E <sub>max</sub> /10000	
Combined error	(%FS)	≤±0.030	≤±0.020	≤±0.026	≤±0.050	
Creep	(%FS/30min)	≤±0.024	≤±0.016	≤±0.017	≤±0.040	
Temperature effect on sensitivity	(%FS/10°C)	≤±0.017	≤±0.011	≤±0.013	≤±0.040	
Temperature effect on zero	(%FS/10°C)	≤±0.023	≤±0.015	≤±0.014	≤±0.020	
Output sensitivity	(mv/v)	2.0±0.002				
Input resistance	(Ω)	350±3.5				
Output resistance	(Ω)	352±3.0				
Insulation resistance	(MΩ)	≥5000(50VDC)				
Zero balance	(%FS)	1.5				
Temperature, compensated	(°C)	-10~+40				
Temperature, operating	(°C)	-35~+65				
Excitation, recommended	(V)	5~12(DC)				
Excitation, max	(V)	18(DC)				
Safe overload	(%FS)	150				
Ultimate overload	(%FS)	300				

### Outline Dimension mm(inch)



Dimension	H	H1	H2	H3	ΦD	Φd	W	L	L1	L2	L3	L4	L5	L6
Capacity														
1~2t	57.9 (2.28)	43 (1.69)	37 (1.47)	5 (0.2)	35 (1.38)	13 (0.51)	37 (1.47)	203 (7.99)	95 (3.74)	22 (0.87)	98 (3.86)	64 (2.52)	/	/
2.5 t	57.9 (2.28)	43 (1.69)	37 (1.47)	5 (0.2)	35 (1.38)	15 (0.59)	37 (1.47)	203 (7.99)	95 (3.74)	22 (0.87)	98 (3.86)	64 (2.52)	/	/
3t	62.9 (2.48)	43 (1.69)	37 (1.47)	5 (0.2)	35 (1.38)	15 (0.59)	37 (1.47)	203 (7.99)	95 (3.74)	22 (0.87)	98 (3.86)	64 (2.52)	/	/
5t	78.7 (3.1)	52 (2.05)	48 (1.89)	8 (0.31)	42 (1.65)	21 (0.83)	48 (1.89)	235 (9.25)	110 (4.33)	22 (0.87)	124 (4.88)	66 (2.6)	/	/
10t,15t	127.7 (5.03)	67 (2.64)	60 (2.36)	12 (0.47)	57 (2.24)	28 (1.10)	60 (2.36)	279 (10.98)	133 (5.24)	32 (1.26)	140 (5.51)	82 (3.22)	/	/
20t,25t	143.5 (5.65)	82.5 (3.25)	70 (2.76)	12 (0.47)	70 (2.76)	34 (1.34)	70 (2.76)	318 (12.52)	153 (6.02)	38 (1.5)	159 (6.26)	89 (3.5)	/	/
30t	174 (6.85)	115 (4.53)	90 (3.54)	18 (0.71)	70 (2.76)	26 (1.02)	96 (3.78)	374 (14.72)	189 (7.44)	44.5 (1.75)	181 (7.13)	76 (2.99)	51 (2.01)	46 (1.81)



### Wiring:

Adopt shielded, 6 conductor cable: φ6.2mm  
Standard cable length: 6m