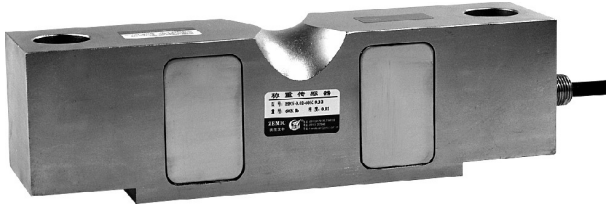


H9N



- H9N load cells are available in the capacities 25Klb~200Klb.
- Alloy steel construction, potted by adhesive inside, oil proof, waterproof, anti-corrosive gas and medium making it suitable for all kinds of environments.
- Dual shear beam, suitable for electronic truck scales, hopper scales, track scales and other electronic weighing devices.

Features

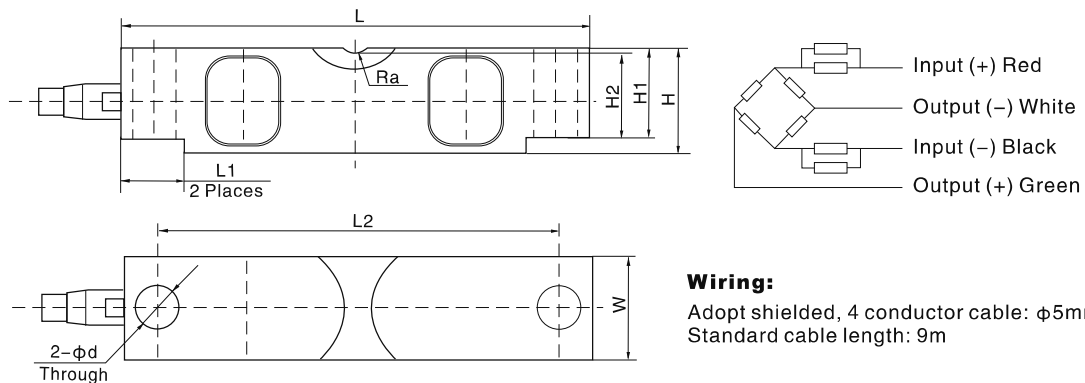
- Capacity 25Klb~200Klb
- High accuracy
- Alloy steel construction
- Easy installation and reliable performance



Specifications

Capacity	Klb	25/40/50/60/75/100/125/150/200			
		C2	C3	A5S	A5M
Accuracy					
Maximum number of verification intervals	n _{max}	2000	3000	5000	5000
Minimum load cell verification interval	v _{min}	E _{max} /5000	E _{max} /10000	E _{max} /15000	E _{max} /15000
Combined error	(%FS)	≤ ±0.030	≤ ±0.020	≤ ±0.018	≤ ±0.026
Creep	(%FS/30min)	≤ ±0.024	≤ ±0.016	≤ ±0.012	≤ ±0.017
Temperature effect on sensitivity	(%FS/10°C)	≤ ±0.017	≤ ±0.011	≤ ±0.009	≤ ±0.013
Temperature effect on zero	(%FS/10°C)	≤ ±0.023	≤ ±0.015	≤ ±0.010	≤ ±0.014
Output sensitivity	(mv/v)	3.0±0.003			
Input resistance	(Ω)	700±7			
Output resistance	(Ω)	703±4			
Insulation resistance	(MΩ)	≥5000(50VDC)			
Zero balance	(%FS)	1.0			
Temperature, compensated	(°C)	-10~+40			
Temperature, operating	(°C)	-35~+65			
Excitation, recommended	(V)	5~12(DC)			
Excitation, max	(V)	18(DC)			
Safe overload	(%FS)	150			
Ultimate overload	(%FS)	300			

Outline Dimension mm(inch)



Wiring:

Adopt shielded, 4 conductor cable: φ5mm
Standard cable length: 9m

Dimension Capacity	L	L1	L2	H	H1	H2	Φd	W	Ra
25Klb	197 (7.75)	35 (1.38)	165 (6.5)	49.3 (1.94)	43.2 (1.7)	41.4 (1.63)	Φ17.3 (0.68)	43 (1.7)	R19.1 (0.75)
40Klb	260.4 (10.25)	49 (1.93)	216 (8.5)	62 (2.44)	53.3 (2.1)	50.8 (2.0)	Φ20.6 (0.81)	49.3 (1.94)	R25.4 (1.0)
50~75Klb	260.4 (10.25)	49 (1.93)	216 (8.5)	74.7 (2.94)	67.3 (2.65)	64.5 (2.54)	Φ26.9 (1.06)	62 (2.44)	R25.4 (1.0)
100~125Klb	387.4 (15.25)	79.5 (3.13)	324 (12.76)	98 (3.86)	87.1 (3.43)	83.8 (3.3)	Φ41.2 (1.62)	73.7 (2.9)	R38.1 (1.5)
150~200Klb	489 (19.25)	127.8 (5.03)	387.4 (15.25)	147.3 (5.8)	130.1 (5.12)	112.8 (4.44)	Φ41.2 (1.62)	96.5 (3.8)	R50.8 (2.0)