

- H9H load cells are available in the capacities 50Klb~100Klb.
- Alloy steel construction, potted by adhesive inside, oil proof, waterproof, anti-corrosive gas and medium making it suitable for all kinds of environments.
- Dual shear beam, suitable for electronic truck scales, hopper scales, track scales and other electronic weighing devices.

### Features

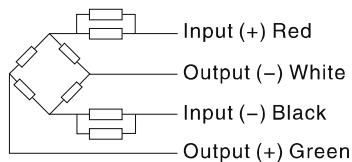
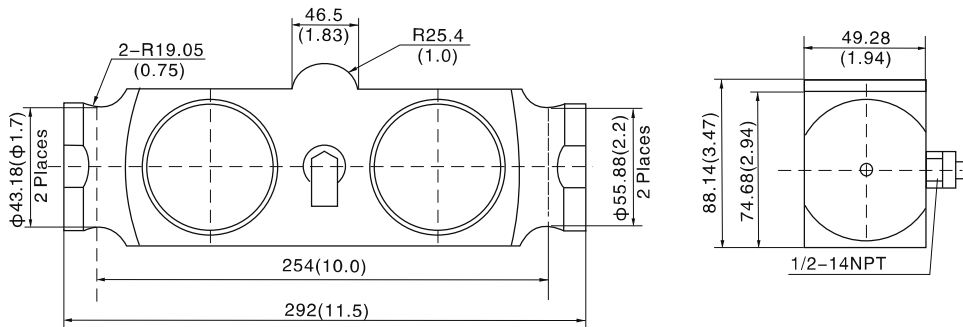
- Capacity 50Klb~100Klb
- High accuracy
- Alloy steel construction
- Easy installation and reliable performance



### Specifications

| Capacity                                 | Klb              | 50/60/75/100           |                         |                         |                         |
|--|------------------|------------------------|-------------------------|-------------------------|-------------------------|
| Accuracy                                 |                  | C2                     | C3                      | A5S                     | A5M                     |
| Maximum number of verification intervals | n <sub>max</sub> | 2000                   | 3000                    | 5000                    | 5000                    |
| Minimum load cell verification interval  | v <sub>min</sub> | E <sub>max</sub> /5000 | E <sub>max</sub> /10000 | E <sub>max</sub> /15000 | E <sub>max</sub> /15000 |
| Combined error                           | (%FS)            | ≤ ±0.030               | ≤ ±0.020                | ≤ ±0.018                | ≤ ±0.026                |
| Creep                                    | (%FS/30min)      | ≤ ±0.024               | ≤ ±0.016                | ≤ ±0.012                | ≤ ±0.017                |
| Temperature effect on sensitivity        | (%FS/10°C)       | ≤ ±0.017               | ≤ ±0.011                | ≤ ±0.009                | ≤ ±0.013                |
| Temperature effect on zero               | (%FS/10°C)       | ≤ ±0.023               | ≤ ±0.015                | ≤ ±0.010                | ≤ ±0.014                |
| Output sensitivity                       | (mv/v)           | 3.0±0.003              |                         |                         |                         |
| Input resistance                         | (Ω)              | 700±7                  |                         |                         |                         |
| Output resistance                        | (Ω)              | 703±4                  |                         |                         |                         |
| Insulation resistance                    | (MΩ)             | ≥5000(50VDC)           |                         |                         |                         |
| Zero balance                             | (%FS)            | 1.0                    |                         |                         |                         |
| Temperature, compensated                 | (°C)             | -10~+40                |                         |                         |                         |
| Temperature, operating                   | (°C)             | -35~+65                |                         |                         |                         |
| Excitation, recommended                  | (V)              | 5~12(DC)               |                         |                         |                         |
| Excitation, max                          | (V)              | 18(DC)                 |                         |                         |                         |
| Safe overload                            | (%FS)            | 150                    |                         |                         |                         |
| Ultimate overload                        | (%FS)            | 300                    |                         |                         |                         |

### Outline Dimension mm(inch)



### Wiring:

Adopt shielded, 4 conductor cable: Φ5mm  
Standard cable length: 9m