



- H2F load cells are available for manifold accurate measurement in the capacities 1t~50t.
- Alloy steel, potted with adhesive inside, oil-proof, waterproof and anti-corrosion, suitable for all kinds of environments.
- Spoke type, easy installation, suitable for electronic truck scales, hopper scales and other electronic weighing devices.
- Safe and anti-explosive product, can be used in atrocious environment and hazardous areas.

Features

- Capacity: 1t~50t
- Alloy steel construction
- High accuracy

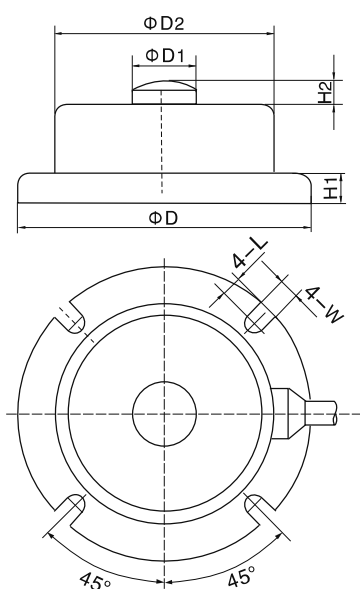
Accessory

- HM-2-401
- BM-2-402

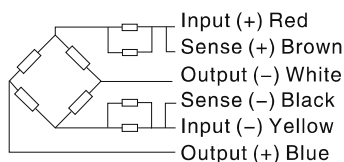
Specifications

Capacity	t	15/20/30/50	5/10	1/2/3
Accuracy		C1	C2	C3
Maximum number of verification intervals	n _{max}	1000	2000	3000
Minimum load cell verification interval	V _{min}	E _{max} /3000	E _{max} /5000	E _{max} /7500
Combined error	(%FS)	≤ ±0.050	≤ ±0.030	≤ ±0.020
Creep	(%FS/30min)	≤ ±0.038	≤ ±0.023	≤ ±0.016
Temperature effect on sensitivity	(%FS/10°C)	≤ ±0.028	≤ ±0.017	≤ ±0.011
Temperature effect on zero	(%FS/10°C)	≤ ±0.047	≤ ±0.029	≤ ±0.019
Output sensitivity	(mv/v)	2.0±0.01		
Input resistance	(Ω)	770±30		
Output resistance	(Ω)	700±5		
Insulation resistance	(MΩ)	≥5000(50VDC)		
Zero balance	(%FS)	1.5		
Temperature, compensated	(°C)	-10~+40		
Temperature, operating	(°C)	-35~+65		
Excitation, recommended	(V)	5~12(DC)		
Excitation, max	(V)	18(DC)		
Safe overload	(%FS)	150		
Ultimate overload	(%FS)	300		

Outline Dimension mm(inch)



Capacity(t)	Dimension(mm)							
	D	D1	D2	H	H1	H2	L	W
1	115 (4.53)	22 (0.87)	86 (3.39)	43 (1.69)	12 (0.47)	5 (0.2)	8 (0.31)	8.4 (0.33)
2	120 (4.72)	26 (1.02)	90 (3.54)	45 (1.77)	12 (0.47)	5 (0.2)	8 (0.31)	8.4 (0.33)
3	128 (5.04)	20 (0.79)	100 (3.94)	46 (1.81)	8 (0.31)	5 (0.2)	7 (0.28)	10.4 (0.41)
5	128 (5.04)	20 (0.79)	100 (3.94)	46 (1.81)	8 (0.31)	5 (0.2)	7 (0.28)	10.4 (0.41)
10	160 (6.3)	40 (1.57)	120 (4.72)	63 (2.48)	15 (0.59)	10 (0.39)	10 (0.39)	10.4 (0.41)
15	194 (7.64)	42 (1.65)	154 (6.06)	68 (2.68)	20 (0.79)	10 (0.39)	12 (0.47)	12.4 (0.49)
20	220 (8.66)	44 (1.73)	170 (6.69)	73 (2.87)	22 (0.87)	10 (0.39)	12 (0.47)	12.4 (0.49)
30	230 (9.06)	48 (1.89)	188 (7.4)	78 (3.07)	25 (0.98)	10 (0.39)	12 (0.47)	12.4 (0.49)
50	264 (10.39)	52 (2.05)	214 (8.43)	90 (3.54)	30 (1.18)	10 (0.39)	12 (0.47)	12.4 (0.49)



Wiring:

Adopt shielded, 6 conductor cable: Φ6mm
Standard cable length: 3m(1~3t), 4m(5~10t), 15m(15~50t)