

## Accessory

### BJ-8-221

**Capacity**      **Part number**  
0.5t-2t            HJ-8-221-0.5/2t

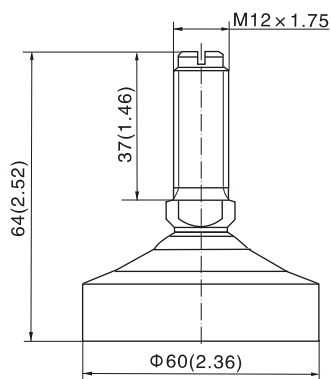
**Features:**

Easy installation, automatically centralized inside,  
good ability of anti-side loading.  
Mainly used for platform scales, floor scales  
and other electronic weighing devices.



Alloy steel, assembled with: H8C,B8D,HM8C,BM8D

#### Outline Dimension mm(inch)



### HD-8-301

**Capacity**      **Part number**  
0.5t-2t            HD-8-301-0.5/2t  
2.5t-5t            HD-8-301-2.5/5t  
1Klb-4Klb        HD-8-301-1/4K  
5Klb-10Klb      HD-8-301-5/10K

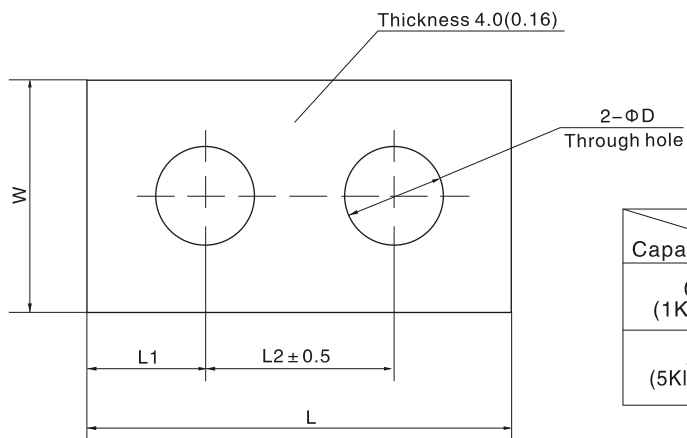
**Features:**

Mainly used for platform scales, floor scales  
and other electronic weighing devices.



Alloy steel, surface bluing treatment.  
Assembled with: B8D,H8C,HM8C,BM8D

#### Outline Dimension mm(inch)



Dimension Capacity	L	L1	L2	W	D
0.5t-2t (1Klb-4Klb)	54 (2.13)	13 (0.51)	25.4 (1.0)	32 (1.26)	14 (0.55)
2.5t-5t (5Klb-10Klb)	76 (2.99)	19 (0.75)	38 (1.50)	38 (1.50)	20 (0.79)