

# L6D15



- Aluminium-Alloy IP65 single point load cell
- Colourless anodized
- Suitable for single or double load cell structured platform scales
- Recommended platform size: 250 x 350 mm



OIML test certificate no. D09-09.13

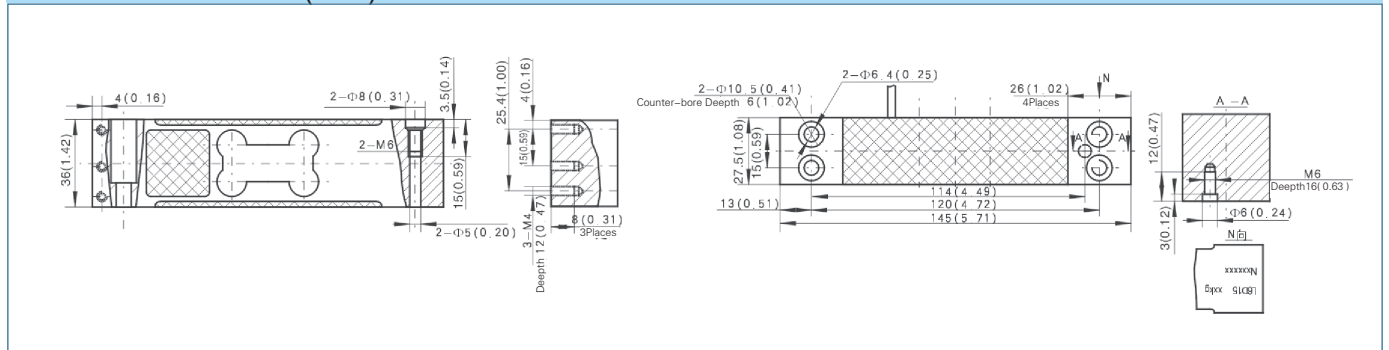
### Available models

Capacity	Accuracy	Full article description
6 kg	C3 / C4 / C5	L6D15-C3 / C4 / C5-6kg-0.4B
9 kg	C3 / C4 / C5	L6D15-C3 / C4 / C5-9kg-0.4B
12 kg	C3 / C4 / C5	L6D15-C3 / C4 / C5-12kg-0.4B
15 kg	C3 / C4 / C5	L6D15-C3 / C4 / C5-15kg-0.4B
18 kg	C3 / C4 / C5	L6D15-C3 / C4 / C5-18kg-0.4B
30 kg	C3 / C4 / C5	L6D15-C3 / C4 / C5-30kg-0.4B

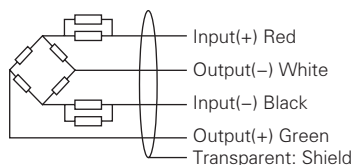
### Specification

		OIML R60 C3	OIML R60 C5	C4
Accuracy class				
Output sensitivity ( = FS )	mV/V	2.0 ± 0.2		
Maximum capacity ( E <sub>max</sub> )	kg	6/9/12/15/18/30		
Maximum number of load cell intervals ( nLC )		3000	5000	4000
Ratio of minimum LC verification interval Y = E <sub>max</sub> / V <sub>min</sub>		10000	20000	15000
Combined error	%FS	± 0.02	± 0.01	± 0.015
Minimum dead load	%FS	0		
Safe overload	%FS	120		
Ultimate overload	%FS	150		
Zero balance	%FS	± 2		
Excitation, recommended voltage	V	5 ~ 12( DC )		
Excitation maximum	V	18( DC )		
Input resistance	Ω	406 ± 6		
Output resistance	Ω	350 ± 3		
Insulation resistance	MΩ	≥ 5000 ( 50VDC )		
Compensated temperature	°C	-10 ~ +40		
Operating temperature	°C	-35 ~ +65		
Storage temperature	°C	-40 ~ +70		
Element material		Aluminium		
Recommended torque on fixation	N.m	6		
Ingress protection (according to EN 60529)		IP65		

### Outline Dimension mm(inch)



### Wiring



- Shielded, 4 conductor cable.
- Cable diameter: Φ3.8mm.
- Standard cable length: 0.4m.
- Shield not connected to element.
- Cable jacket in PVC.