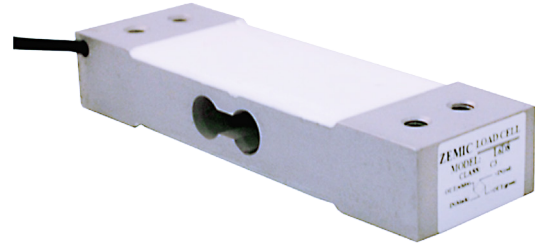


# L6D8

- Aluminium-alloy IP65 single point load cell.
- Colourless anodized
- Suitable for pricing scales, bench scales, etc.
- Maximum platform size: 350 x 350 mm



test certificate no. D09-09.12

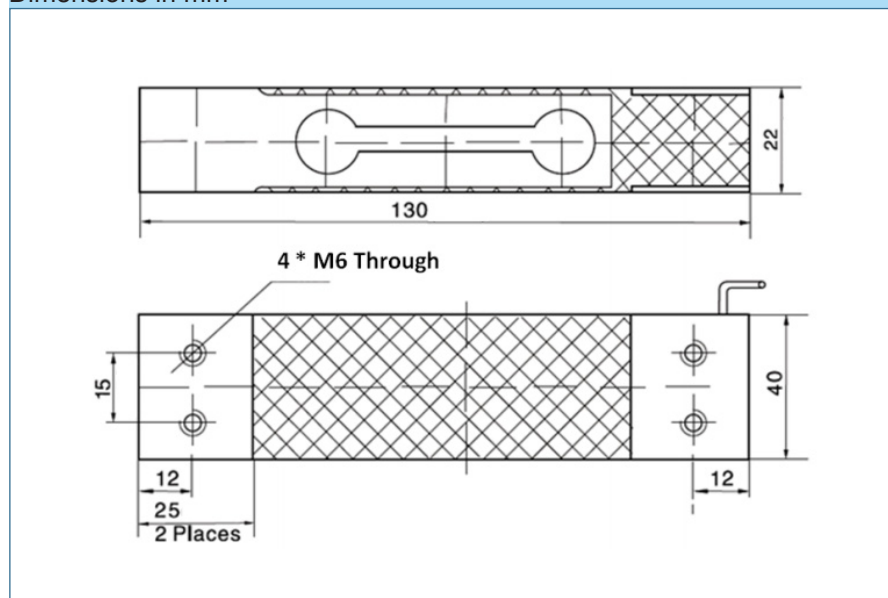
## Available models

Capacity	Accuracy	Full article description
50 kg	C3/C4	L6D8-C3/C4-50kg-1.6B
75 kg	C3/C4	L6D8-C3/C4-75kg-1.6B
100 kg	C3/C4	L6D8-C3/C4-100kg-1.6B
150 kg	C3/C4	L6D8-C3/C4-150kg-1.6B
200 kg	C3/C4	L6D8-C3/C4-200kg-1.6B

## Specification

Accuracy class		OIML R60 C3	OIML R60 C4
Output sensitivity ( = FS )	mV/V	2.0 ± 0.2	
Maximum capacity ( E <sub>max</sub> )	kg	50/75/100/150/200	
Maximum number of load cell intervals ( nLC )		3000	4000
Ratio of minimum LC verification interval Y = E <sub>max</sub> / V <sub>min</sub>		10000	16000
Combined error	%FS	± 0.02	± 0.015
Minimum dead load	%FS	0	
Safe overload	%FS	120	
Ultimate overload	%FS	150	
Zero balance	%FS	± 2.0	
Excitation, recommended voltage	V	5 ~ 12( DC )	
Excitation maximum	V	18( DC )	
Input resistance	Ω	406 ± 6	
Output resistance	Ω	350 ± 3	
Insulation resistance	MΩ	≥ 5000 ( 50VDC )	
Compensated temperature	°C	-10 ~ +40	
Operating temperature	°C	-35 ~ +65	
Storage temperature	°C	-40 ~ +70	
Element material		Aluminium	
Recommended torque on fixation	N.m	M6: 10	
Ingress protection (according to EN 60529)		IP65	

## Dimensions in mm



## Wiring

Input(+) Red  
 Output(-) White  
 Input(-) Black  
 Output(+) Green  
 Transparent: Shield

- Shielded, 4 conductor cable.
- Cable diameter:  $\Phi 3.8$ mm.
- Standard cable length: 1.60m.
- Shield not connected to element.
- Cable jacket in PVC.