

H14W



- Tool steel IP66 compression load cell
- Epoxy coated
- Cable suitable for application with higher temperatures up to 130°C
- Low profile
- Double bridge option from 13t and up

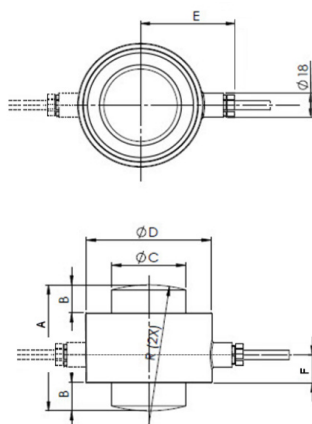
Available models

Capacity	Accuracy	Full article description
2.8 t	G1/G2	H14W-G1/G2-2.8t-6B
6 t	G1/G2	H14W-G1/G2-6t-6B
13 t	G1/G2	H14W-G1/G2-13t-6B
28 t	G1/G2	H14W-G1/G2-28t-6B
60 t	G1/G2	H14W-G1/G2-60t-6B
130 t	G1/G2	H14W-G1/G2-130t-6B
280 t	G1/G2	H14W-G1/G2-280t-6B
350 t	G1/G2	H14W-G1/G2-350t-6B
500 t	G1/G2	H14W-G1/G2-500t-6B

Specification

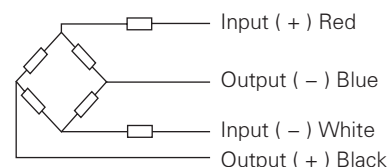
Accuracy class		G1		G2	
Output sensitivity (= FS)	mV/V	1.5 ± 0.008	1.5 ± 0.1	1.5 ± 0.008	1.5 ± 0.1
Maximum capacity (E _{max})	t	2.8/6/13/28/ 60/130/280	350/500	2.8/6/13/28/60/ 130/280	350/500
Combined error	%FS	± 0.100		± 0.200	
Minimum dead load	%FS	0			
Hysteresis	%FS	± 0.050		± 0.100	
Minimum dead load output return	%FS	± 0.050		± 0.070	
Creep error (30 minutes)	%FS	± 0.060		± 0.080	
Creep error (20-30 minutes)	%FS	± 0.015		± 0.020	
Temperature effect on Minimum dead load output	%FS/10°C	± 0.05		± 0.05	
Temperature effect on output	%FS/10°C	± 0.5		± 0.5	
Safe overload	%FS	150			
Ultimate overload	%FS	300			
Zero balance	%FS	± 1.5			
Excitation, recommended voltage	V	5 ~ 12(DC)			
Excitation maximum	V	15(DC)			
Input resistance	Ω	275 ± 5 (760 ± 7 for 350t and 500t)			
Output resistance	Ω	245 ± 0.2 (700 ± 3.5 for 350t and 500t)			
Insulation resistance	MΩ	≥ 5000 (50VDC)			
Compensated temperature	°C	-10 ~ +40			
Operating temperature	°C	-35 ~ +65			
Storage temperature	°C	-40 ~ +70			
Element material		Tool steel painted			
Ingress protection (according to EN 60529)		IP68			
ATEX classification (optional)		II1G Ex ia IIC T4	II1D Ex iaD 20 T73°C	II3G Ex nL IIC T4	

Dimensions in mm



Dimension Capacity	A	B	ΦC	ΦD	E	F	R
2.8t, 6t	56 (2.20)	8 (0.31)	16.7 (0.66)	45 (1.77)	40.5 (1.59)	20 (0.79)	50 (1.97)
13t	68 (2.68)	12 (0.47)	24.5 (0.96)	55 (2.17)	45.5 (1.79)	20 (0.79)	66 (2.60)
28t	74 (2.91)	14 (0.55)	36 (1.42)	64 (2.52)	50 (1.97)	20 (0.79)	72 (2.83)
60t	90 (3.54)	20 (0.79)	52.7 (2.07)	90 (3.54)	63 (2.48)	20 (0.79)	100 (3.94)
130t	116 (4.57)	26 (1.02)	77.5 (3.05)	121 (4.76)	78.5 (3.09)	20 (0.79)	125 (4.92)
280t	170 (6.69)	45 (1.77)	114 (4.49)	165 (6.50)	100.5 (3.96)	20 (0.79)	183 (7.20)
350t	240 (9.45)	40 (1.57)	132 (5.20)	202 (7.95)	127 (5.0)	50 (1.97)	325 (12.80)
500t	275 (10.83)	47 (1.85)	155 (6.10)	236 (9.29)	144 (5.67)	50 (1.97)	450 (17.72)

Wiring



- Shielded, 4 conductor cable.
- Cable diameter: Φ6mm.
- Standard cable length for 2.8t – 6t: 6m, for 13t – 60t: 15m and for 130t – 500t: 20m.
- Shield not connected to element.